

7" x 7" HOLE PATTERN ANCHOR KIT

MODEL NO.
B7011EF
HAMMER ITEM NO.
2152

ANCHOR SYSTEM INSTALLATION INSTRUCTIONS

⚡ WARNING ⚡

Before digging hole for anchor system, check for buried power, gas, water, and telecommunication lines! Failure to do so could result in serious or fatal injury! Contact your local utility company if unsure.

NOTE: For best results with less vibration, anchor system should be independent of court. If pouring concrete for both at same time, add an expansion joint in between.

NOTE: When digging hole, if you hit rock and cannot dig through contact a contractor.

1. Determine the location of the anchor system. The proper location is as close to the court without making contact, as shown in **Figure 1**. This, however, is a general rule. If you need to locate the anchor system in a location other than this, check system's owners manual for overhang of your system.

NOTE: Minimum of 18" rear clearance is required behind pole.

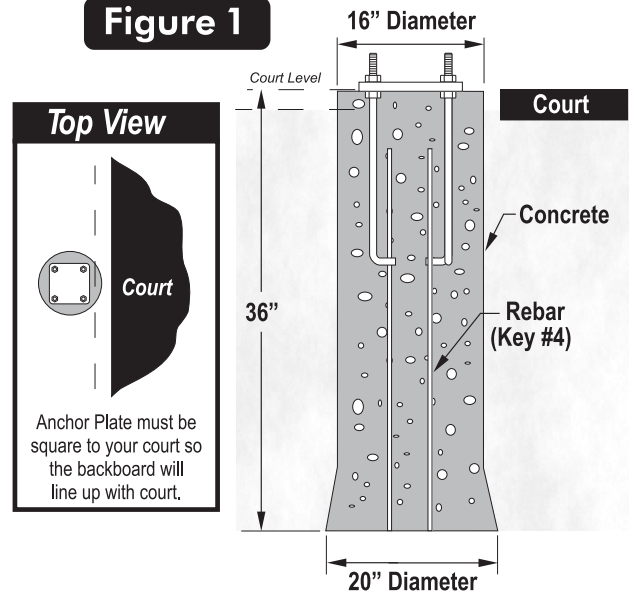
2. Assemble anchor system as follows: Thread nut (#1) to bottom of threads on anchor bolt (#3) insert threads of anchor bolt (#3) through hole on anchor plate (#2) and secure with nut (#1). Repeat this step for the remaining anchor bolts. See **Figure 2**.

NOTE: Each leg of anchor bolts should face the anchor bolt to the right. See **Detail A**.

Items needed for Anchor Installation (not included)

- 9 - 80 lb. bags of concrete (2-3 extra recommended)
- 1 - post hole digger (optional)
- 1 - 15/16" open end wrench
- 1 - 15/16" socket and ratchet (optional)
- 1 - concrete form (see note before step 3)
- 1 - wheel barrow
- 1 - garden hose
- 1 - level
- 1 - tape measure

Figure 1



**Detail A
Bottom View**

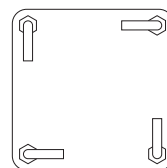
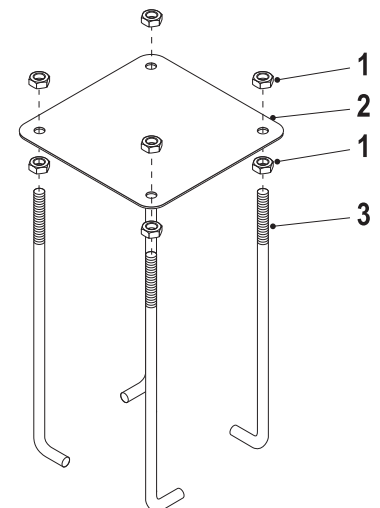


Figure 2



Note: Using a concrete form for the top 4" of the concrete is recommended. Cardboard forms can be purchased at some hardware and home stores or a wooden form can be constructed out of 2 x 4's.

Note: Failure to dig and fill hole as instructed will result in increased system vibration.

***Tip:** It is always a good idea to purchase two or three extra bags of concrete, just in case you need them. If extra bags are not used you can return them to the store.

- Mix and pour concrete into hole. Follow instructions on concrete bag. Stop about 18" below court level.
- Insert four reinforcement bars (Key #4) into concrete 8" apart creating a square in center on hole.
- Place form in desired location and finish pouring concrete up to court level.
- Push anchor system into concrete and agitate to work out voids in concrete. Immediately use a level to level and square anchor plate to playing surface. Clean off any concrete that may be on exposed threads.

Note: The bottom four nuts will be forever embedded in concrete. The top four nuts remain on bolts and are used for leveling. See your basketball system's instruction manual.

Let concrete cure for a **MINIMUM** of 72 hours.

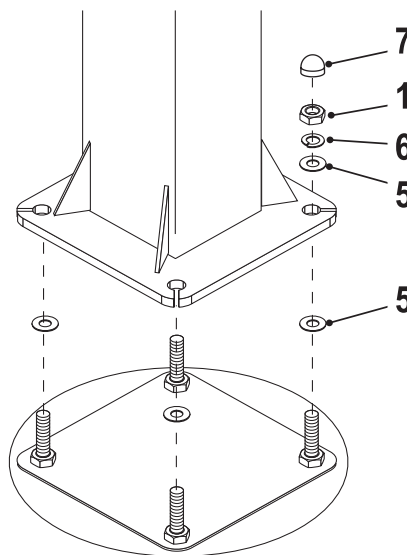
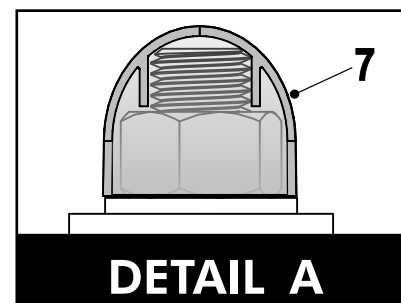
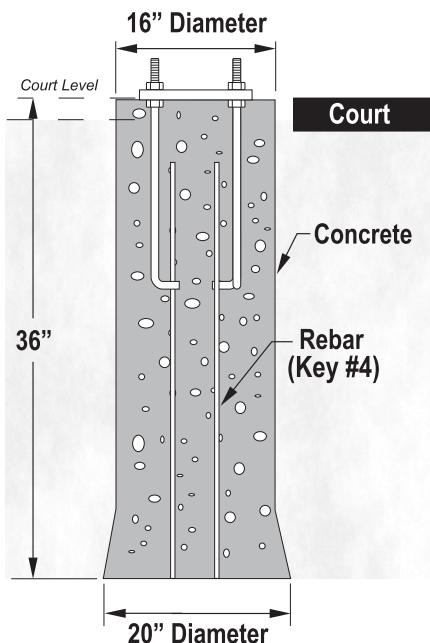
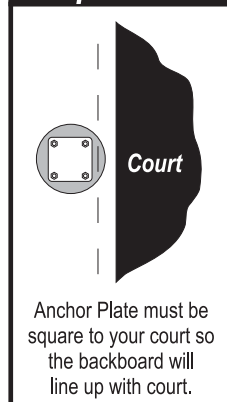
! CAUTION !

PLACING THE POST ON THE ANCHOR SYSTEM REQUIRES AT LEAST FOUR CAPABLE ADULTS. POLE WILL WANT TO LEAN WHILE ATTEMPTING TO STAND IT UP ON ANCHOR BOLTS.

- Locate hardware needed to mount pole to anchor bolts. You will need, eight flat washers (#5), four lock washers (#6), four hex nuts (#1) and four thread protectors (#7).
- Put a flat washer (#5) on each anchor bolt. Lift post onto anchor system and secure with one flat washer (#5), one lock washer (#6) and one hex nut (#1) for each anchor bolt. See **Figure 3**. Tighten all four hex nuts tight.
- Push on Thread Cap (#7) until it is securely in place. Cap may be tight, push hard but **DO NOT** hit with a hammer! See **Figure 3** and **Detail A**.

Figure 1

Top View



NOTE:
If basketball system needs to be moved, Do not try to salvage caps, caps will be tight remove with plyers and discard. New caps will come in new anchor system.

NOTE:
If caps are missing for any reason please call customer service.

Figure 3

Key#	Part #	Description	Qty.
1	2B-6097-00	5/8-11 HEX NUT -ZINC	12
2	2S-6453-00	ANCHOR TEMPLATE (7" X 7")	1
3	2B-6112-00	5/8-11 X 14 "J" BOLT	4
4	1S-6167-00	REBAR #3 X 30"	4
5	2B-6834-00	5/8 SAE FLAT WASHER - ZINC	8
6	2B-6099-00	5/8 SPLIT LOCKWASHER - ZINC	4
7	3M-9040-01	5/8 THREAD CAP	4

11. Service-Hotline und Ersatzteilbestellformular



Um Ihnen optimal helfen zu können, halten Sie bitte Artikel-Nummer, Seriennummer, Explosionszeichnung und Teileliste bereit.

S E R V I C E - H O T L I N E

Tel.: 0731-97488- 41

Fax: 0731-97488-64

Montag bis Freitag

von 09.00 Uhr bis 16.00 Uhr

Mail: info@hammer-basketball.com

An
Hammer Sport AG
Abt. Kundendienst
Von-Liebig-Str. 21
89231 Neu-Ulm

Art.-Nr.:
Serien Nr.:

Ort: Datum:

Ersatzteilbestellung/Spare Part order
(Bitte in Druckbuchstaben ausfüllen!)

Kaufdatum: Gekauft bei Firma:
(Garantieansprüche nur in Verbindung mit einer Kopie des Kaufbeleges!)

Bitte liefern Sie mir folgende Ersatzteile (Bitte leserlich schreiben!):

Position	Bezeichnung	Stückzahl	Bestellgrund

Käufer:
.....
(Name, Vorname)
.....
(Strasse, Hausnr.)
.....
(PLZ, Wohnort)
.....
(Telefon, Fax)
.....
(E-Mail-Adresse)
.....

Lieferadresse: (wenn abweichend von Käuferadresse)
.....
(Firma)
.....
(Ansprechpartner)
.....
(Strasse, Hausnr.)
.....
(PLZ, Wohnort)
.....
(Telefon, Fax)
.....
(E-Mail-Adresse)
.....

90 DAY LIMITED WARRANTY

This consumer warranty extends to the original consumer purchase of any ESCALADE SPORTS® Product (hereinafter referred as the "Product").

WARRANTY DURATION: This Product is warranted to the original consumer purchase of a period of ninety (90) days from the original purchase.

WARRANTY COVERAGE: ESCALADE SPORTS warrants to the original Consumer Purchaser that any Product of its manufacture is free from defects in material and workmanship when used for the intended purpose under normal use and conditions. THIS WARRANTY IS VOID IF THE PRODUCT HAS BEEN DAMAGED BY ACCIDENT, UNREASONABLE USE, NEGLIGENCE, IMPROPER SERVICE, FAILURE TO FOLLOW INSTRUCTIONS PROVIDED WITH THE PRODUCT OR OTHER CAUSES NOT ARISING OUT OF DEFECTS IN MATERIAL AND WORKMANSHIP.

WARRANTY PERFORMANCE: During the above ninety (90) day warranty period, ESCALADE SPORTS shall repair or replace with a comparable model, and Product, or component thereof, which may prove defective under normal use and proper care, and which our examination shall disclose to our satisfaction to be thus defective, please contact our Warranty Dept.

1. Proof of purchase (original retail purchaser) is required for all warranty claims.

2. Call or email Hammer Sport AG

Tel: 0731-97488-41

E-mail: info@hammer-basketball.com

Other than shipping requirements no charge will be made for such repair or replacement of in-warranty Products. ESCALADE® SPORTS strongly recommends that the Product is insured for value prior to mailing.

WARRANTY DISCLAIMERS: ANY IMPLIED WARRANTIES ARISING OUT OF THIS SALE, INCLUDING BUT NOT LIMITED TO THE IMPLIED WARRANTIES OF MERCHANTABILITY AND FITNESS FOR A PARTICULAR PURPOSE, ARE LIMITED IN DURATION TO THE ABOVE NINETY (90) DAY WARRANTY PERIOD. ESCALADE® SPORTS SHALL NOT BE LIABLE FOR LOSS OF USE OF THE PRODUCT OR OTHER CONSEQUENTIAL OR INCIDENTAL COSTS, EXPENSES OR DAMAGES INCURRED BY THE CONSUMER OF ANY OTHER USE.

Some states do not allow the exclusion or limitation of implied warranties or consequential or incidental damages, so the above limitations or exclusions may not apply to you.

LEGAL REMEDIES: This warranty gives you specific legal rights and you may also have other rights which may vary from state to state.